

Motic®

BA300

Transmitted Light Routine Laboratory Microscope

With Motic CCIS (Colour Corrected Infinity System) optics,
innovative design and unbeatable optical quality



BA300

Motic's new BA300 biological microscope delivers uncompromised optical clarity thanks to its integrated CCIS (Colour Corrected Infinity System) optical system. The instrument's superior ergonomic design and robust mechanical structure make it ideal for laboratory and routine research applications and a great platform for future expansion.

CCIS (Colour Corrected Infinity System)

Motic's own CCIS optical design incorporated into the BA300 maximizes optical compatibility as well as the application versatility. The microscope can be fitted with optional accessories such as Phase Contrast, Darkfield, Polarizing and Fluorescence Attachment without affecting optical quality.



BA300



The microscope stand

The BA300 is designed with the user in mind. Careful consideration has been made to the ergonomic design of the microscope. The coaxial focusing knobs are tension adjustable, the right hand focusing wheel with finger hollows for easy and fast focusing. The design provides fatigue free operation even over long periods of usage.

The wide arm provides solid support and stability, perfect for high magnification operation while the "T" design of the microscope gives a small footprint saving vital desk space in modern laboratories.

The light source

The BA300 features a powerful 6V/30W quartz halogen illumination together with the field iris diaphragm provides an exact Koehler illumination. This flexible light source with built in intensity control is perfect for all round microscope - not just brightfield.



Observation tube

In order to maintain absolute parfocality, the BA300's eyepieces are inserted in a Siedentopf observation tube allowing retain of focus even when interpupillary distance is varied. Adding to the ergonomic theme of this microscope, the head is inclined at an optimal 30° for posture management.

A trinocular version is also available featuring a professional light distribution slider of 100% binocular or 100% photo tube making it ideal for photo microscope and video microscope applications.



Focusable Eyepieces

With Widefield 10X eyepieces as standard allowing for a field of view of 20mm, the BA300 offers impeccable optics as well as a large overview of your slide.

Independent diopter adjustments on each eyepiece, rather than on the eyepiece tube, is a professional feature usually reserved on more advanced models. Users wearing eye-glasses will find our eyepieces' high-eyepoint design very comfortable to use. Various reticles for measuring and counting are also available for these eyepieces.



Quintuple Revolving Nosepiece

The reversed design of the nosepiece means that when using the BA300, the user has more space to change specimen slides therefore limiting any damage to the slides or the objectives. The nosepiece itself features a ball-bearing mechanism with positive click-stop to ensure that each change of magnification is accurate and centered.



Rectangular Mechanical Stage

The BA300 features a large (174mm x 145mm) hard coated mechanical stage with a travel range of 76mm x 50mm. Controlling the movement of the stage is made easy with low-positioned coaxial control knobs.

The stage surface is protected with a special hard coating against abrasion and fungus growth.



Condenser

The standard substage condenser is attached to the microscope using a dovetail mount and can be adjusted through a rack and pinion mechanism ensuring a durable and smooth range of adjustments.

This condenser has a slot for the Motic 3-position phase contrast slider (Ph10X, BF, Ph40X) which can easily be fitted for quick phase contrast microscopy.

An option on the BA300 is Motic's phase contrast turret condenser with a numerical aperture of 1.25 and five different positions. The turret condenser comes with two choices for Ph10X, Ph20X, Ph40X, Ph100X, BF or Ph10X, Ph40X, Ph100X, BF, DF. These condensers offer maximum flexibility when rapid and easy changes between illumination and contrasting techniques are required.



Objectives

The BA300 has an arsenal of high-quality objectives to choose from. Motic CCIS EF Plan objectives offer brilliant, crisp and high-contrast images with high working distances and numerical apertures. Optional Motic CCIS Plan Achromat and CCIS EF Plan Phase Achromat objectives are also available for even more outstanding optical performance.



CCIS EF Plan Phase Achromat Objectives

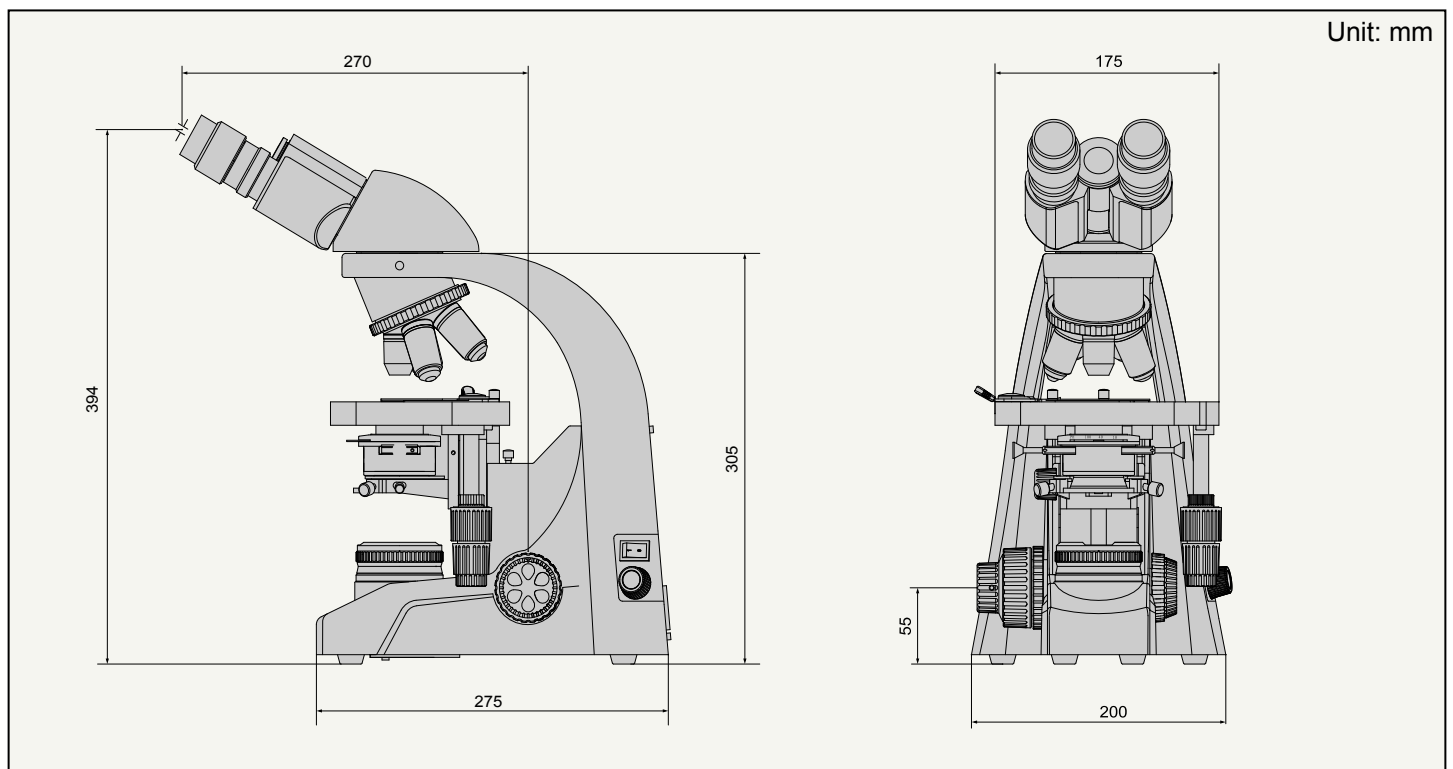
Types of Objectives

Objectives	Types	Numerical Aperture	Working Distance
CCIS EF Plan Achromat Objectives	EF PL4X	0.10	6.3
	EF PL10X	0.25	3.9
	EF PL40X	0.65	0.4
	EF PL60X	0.80	0.14
	EF PL100X	1.25	0.12
CCIS Plan Achromat Objectives	PL4X	0.10	7
	PL10X	0.25	4.3
	PL20X	0.40	1.3
	PL40X	0.65	0.4
	PL100X	1.25	0.13
CCIS Plan Achromat Phase Contrast Objectives	PL Ph10X	0.25	4.3
	PL Ph20X	0.40	1.3
	PL Ph40X	0.65	0.4
	PL Ph100X	1.25	0.13

Anti-fungus treatment

It goes without saying that a high-performance microscope such as the BA300 is protected against fungus growth. Therefore, all critical parts of the microscope such as Eyepieces, Objectives and Observation Tube are Anti-fungus treated to ensure image clarity and optical performance.

BA300 Dimensions



Technical Specifications

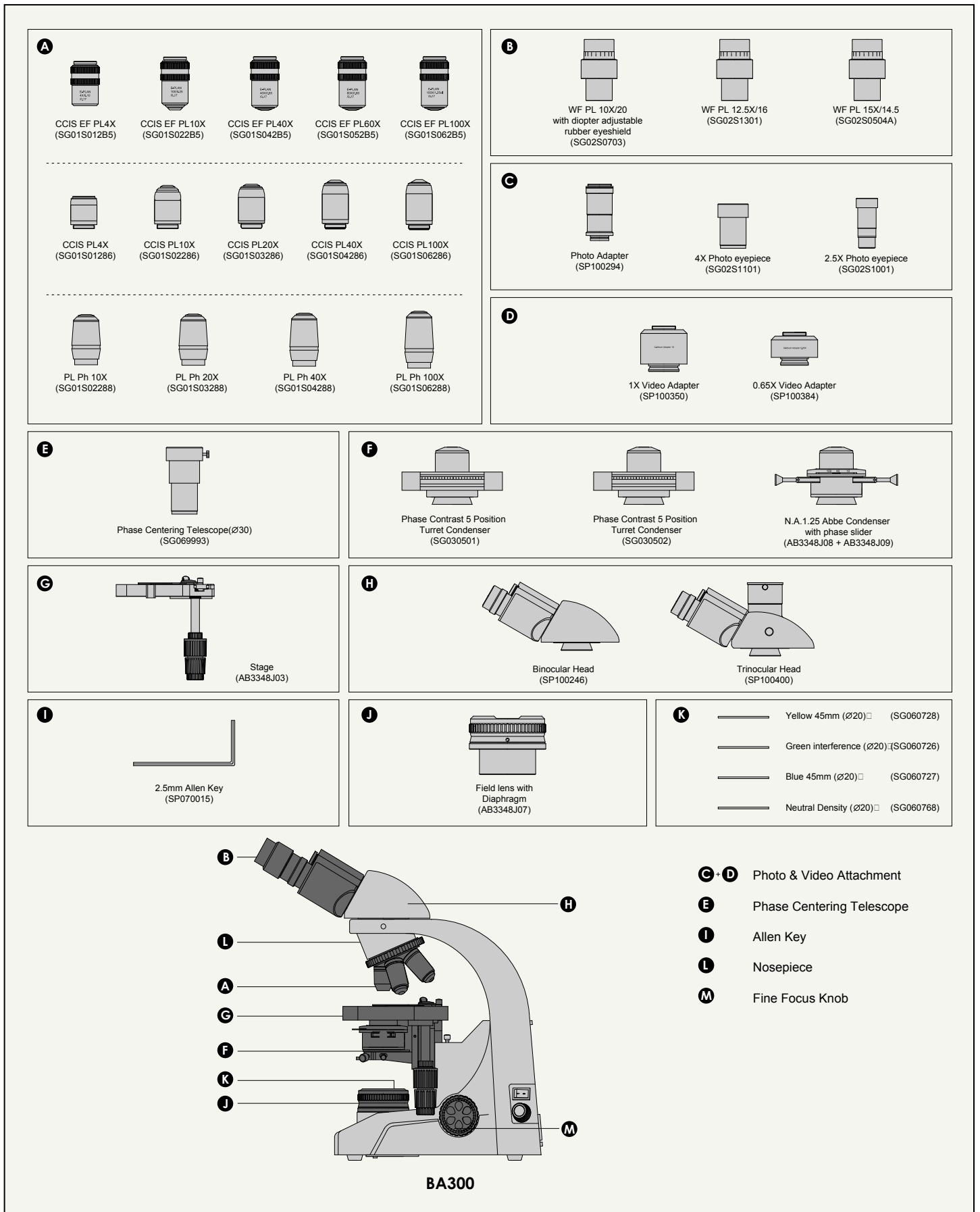
Optical System □	Parfocal distance: 45mm CCIS Optical System (Colour Corrected Infinity System)
Observation Tube □	Siedentopf type Binocular tube 30° Siedentopf type Trinocular tube 30° (light distribution: binocular 100%, binocular/photo: 0/100)
Eyepiece □	Widefield high eyepoint WF 10X (FN20) with diopter adjustment
Coarse/Fine focusing □	Control knobs coaxially positioned; movement per rotation: 42mm coarse/0.2mm fine; minimum increment: 2µm; minimum scale; coarse motion torque adjustable; upper focus stop incorporated.
Stage □	Rectangular 174 x 145mm surface area; 76 x 50mm cross travel range using low-positioned coaxial X and Y control knob on the right hand side. A hard coating to protect the stage surface from abrasion and wear. Vertical movement range - 27mm
Substage Illumination □	6V/30W Quartz halogen lamp.
Filter □	Blue

BA300 Standard & Optional Configuration

Specification with CCIS - Colour Corrected Infinity System □		□	Order Number □	Bino □	Trino
CCIS Objectives □ □ □ □ □ □ □ □ □ □ □ □ □	CCIS EF Plan Achromat □ □ □ □ □	CCIS EF PL 4X □	SG01S012B5 □	●	●
		CCIS EF PL 10X □	SG01S022B5 □	●	●
		CCIS EF PL 40X □	SG01S042B5 □	●	●
		CCIS EF PL 60X □	SG01S052B5 □	○	○
		CCIS EF PL 100X □	SG01S062B5 □	●	●
	CCIS Plan Achromat □ □ □ □ □	CCIS PL4X □	SG01S01286 □	○	○
		CCIS PL10X □	SG01S02286 □	○	○
		CCIS PL20X □	SG01S03286 □	○	○
		CCIS PL40X □	SG01S04286 □	○	○
		CCIS PL100X □	SG01S06286 □	○	○
	CCIS Plan Achromat Phase □ □ □ □	PL Ph10X □	SG01S02288 □	⊕	⊕
		PL Ph20X □	SG01S03288 □	⊕	⊕
		PL Ph40X □	SG01S04288 □	⊕	⊕
PL Ph100X □		SG01S06288 □	⊕	⊕	
Eyepieces □ □ □ □	WFPL 10X/20, with diopter adjustment and rubber eyeshield □		SG02S0703 □	●	●
	WFPL 10X/20 with cross line Ø20 □	□	SG02S0155 □	○	○
	WFPL 12.5X/16 □	□	SG02S1301 □	○	○
	WFPL 15X/14.5 □	□	SG02S0504A □	○	○
Binocular Tube □	Siedentopf Type 30° □	□	SP100246 □	●	/
Trinocular Tube □	Siedentopf Type 30° (light distribution 0/100) □	□	SP100400 □	/	●
Condenser □ □ □	N.A. 1.25 Abbe condenser with slider slot □	□	AB3348J08 □	●	●
	Phase contrast 5 position (10X, 20X, 40X, 100X, BF) turret condenser □		SG030501 □	⊕	⊕
	Phase contrast 5 position (10X, 40X, 100X, BF, DF) turret condenser □		SG030502 □	⊕	⊕
Sliders □ □	Phase slider for 10X/40X □	□	AB3348J09 □	⊕	⊕
	Slider for simple darkfield (10X-40X) □	□	AB3348J28 □	○	○
Photo Adapter □	Photo Adapter (requires one of the photo eyepieces below) □		SP100294 □	/	○
Photo Eyepieces □ for Photomicrography □	2.5X □	□	SG02S1001 □	/	○
	4X □	□	SG02S1102 □	/	○
C-Mount Camera Adapter □ □	1X □	□	SP100350 □	/	○
	0.65X □	□	SP100384 □	/	○
Phase Centering telescope □	Ø 30 □	□	SG069993 □	⊕	⊕
Filters □ □ □ □	Yellow 45mm dia. □	□	SG060728 □	○	○
	Green 45mm dia. □	□	SG060726 □	○	○
	Blue 45mm dia. □	□	SG060727 □	●	●
	Neutral Density (ND2) 45mm dia. □	□	SG060729 □	○	○

Note: □ "●" standard accessories, "○" optional accessories, "⊕" for phase contrast microscopy

System Diagram



Motic[®] Microscopes

Motic[®]

URL: <http://www.motic.com>

Motic Incorporation Ltd. (HONG KONG)

Rm. 2907-8, Windsor House, 311 Gloucester Road, Causeway Bay, Hong Kong
Tel: 852-2837 0888

Motic Instruments Inc. (CANADA)

180-4320 Viking Way Richmond, B.C. V6V 2L4 Canada
Tel: (604) 303-9033 Fax: (604) 303-9043 Toll Free: 1-877-977-4717
Technical Support: 1-877-901-4141 Email: info@motic-america.com

For inquiries in UK (UK)

Saracens House, 25 St. Margarets Green, Ipswich, IP4 2BN, Suffolk, UK
Tel: 44-(0)-14732 81909

Motic Deutschland GmbH (GERMANY)

Gewerbepark Spilburg, Gebäude A42 Spilburgstrasse 1 D-35578 Wetzlar Germany
Tel: 49-6441-210 010

Motic Spain, S.L. (SPAIN)

C/Pere IV, 78-84-7 Planta 08005 Barcelona Spain
Tel: 34-93-485 1841

Motic China Group Co., Ltd. Copyright © 2002-2004. All Rights Reserved

Design Change: The manufacturer reserves the right to make changes in instrument design in accordance with scientific and mechanical progress, without notice and without obligation.

VDE   CE

Motic[®] Certified ISO 9001
Certified ISO 14001

Code: SP010934